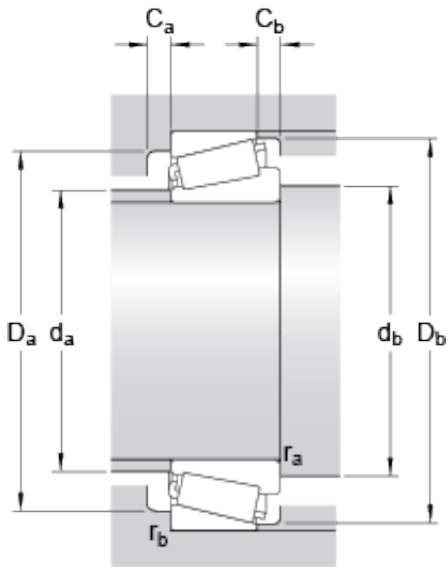




Accessories Supplies Co., Ltd.



30212 Bearing 2D drawings and 3D CAD models

High Speed Precision Tapered Roller Bearing 30212 30213 J2/Q X/Q R Chrome Steel Electric Machinery Rolling Mill Roller Timken, NSK, SKF

Bearing No. 30212

Dimension series	3EB
d	60 mm
D	110 mm
T	23.75 mm
d ₁	80.9 mm
B	22 mm
C	19 mm
r _{1,2} min.	2 mm
r _{3,4} min.	1.5 mm
a	21.531 mm
d _a max.	70 mm
d _b min.	70 mm
D _a min.	96 mm
D _a max.	101.5 mm
D _b min.	103 mm
C _a min.	3 mm
C _b min.	4.5 mm
r _a max.	2 mm
r _b max.	1.5 mm
Basic dynamic load rating C	120 kN
Basic static load rating C ₀	114 kN
Fatigue load limit P _u	13.2 kN
Reference speed	5000 r/min
Limiting speed	6000 r/min
Calculation factor e	0.4



Accessories Supplies Co., Ltd.

Calculation factor Y	1.5
Calculation factor Y_0	0.8
Mass bearing	0.88 kg